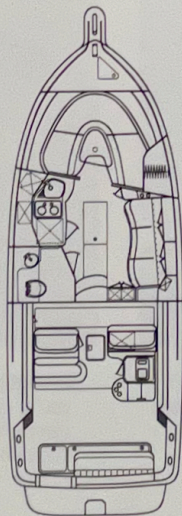


330 EXPRESS CRUISER



Overall Length	33'6"	10.21 m
w/Std. Swim Platform & Bow Pulpit	38'0"	11.58 m
Beam	13'5"	4.09 m
Draft (Inboards)	35"	88.9 cm
Dry Weight	16,500 lbs	7,484 kg
Fuel Capacity	275 gal	1,040.9 L
Water Capacity	50 gal	189.3 L
Holding Tank	28 gal	106 L
Dead Rise	19.5°	19.5°

The specification measurements are approximations and subject to variance.

Sea Ray®

A WORLD BEYOND THE MAINSTREAM.™

HULL & DECK FEATURES

Arctic White Gel Coat
 Color Scheme (Blue, Green, Black/Tan)
 Boot Stripes
 High Performance Vinylester Resin
 Color-Coordinated Thru-Hull Fittings
 Integral Deck Ventilators
 Stainless Steel Bow & Stern Eyes
 Stainless Steel Handrails
 Stainless Steel Bow Rail
 Welded Stainless Steel Stanchions
 Navigation Lights
 4-Bolt Stainless Steel Cleats (6)
 Stainless Steel Deck Fill Plates
 Lofrans Progress I Rope/Chain
 Windlass w/Foot Switches
 PVC Rub Rail w/Stainless Steel Insert
 Stainless Steel Hull Windows (4)
 Fiberglass Swim Platform
 w/Concealed Stainless Steel
 Swim Ladder
 Brass-Threaded Garboard Drain Plug
 Anchor Rope Storage w/Hatch
 Translucent Deck Hatch w/Locks &
 Sky Screen Cover
 Rod Holders (4)
 Insulated Engine Compartment
 Gel-Coated Bilge Area
 Bottom Paint
 Meets Applicable USCG & ABYC
 Standards
 NMMA Certification
 Vac Pac

COCKPIT FEATURES

Self-Bailing Fiberglass Dual Level
 Cockpit w/Raised Bridge Deck
 Indirect Cockpit Lighting
 Cockpit Side Panel Storage
 Snap-In Carpet Liner

COCKPIT LOWER DECK

Large Insulated In-Floor Fish Box
 w/Hinged Lids & Pump-Out
 Molded Fiberglass Boarding Steps
 Freshwater Washdown Faucet
 Molded Fiberglass Transom Door
 Cockpit Bolsters
 Trash Receptacle
 Foldaway Aft Seat

COCKPIT BRIDGE DECK

Electrically Actuated Cockpit Sole
 Raises for Engine Access
 Power Adjustable Double Helm Seat
 w/Fiberglass Convenience Base
 Portside Double Helm Seat
 w/Aft-Facing Seat & Fiberglass
 Storage Base
 Chart Holder
Stainless Steel Steering Wheel
Black Instrument Panel
 Fiberglass Sport Spoiler
 120V Outlet
 Stainless Steel Grab Rails

Bait Prep/Entertainment Center:

Wet Bar w/Sink
 Cooler
 Cutting Board
 Freezer (120V/60 Cycle) or
 (220V/50 Cycle - Int'l)

CABIN FEATURES

Granite-Colored Countertops
 (Burnt Amber or Aurora)
 In-Floor Rod Storage
 12V Clarion® AM/FM Digital Cassette
 Stereo, 6-Disc CD Changer
 w/Amplifier & 6 Speakers &
 Cockpit Remote Control
 Rod Storage Behind Sofa
 12V Halogen Lighting
 12V Indirect Lighting
 120V Outlets Throughout
 Deep-Pile Marine Carpet
 Interior Sunbrella® Carpet Runners
 Throw Pillows (5)
 Handcrafted Wood Trim
 Curtains & Drape Trim
 Acrylic Sliding Cabin Door

Forward Stateroom:

Convertible Dinette w/Storage Below
 Dining Table w/Dedicated Storage
 V-Berth Filler Cushions
 Hanging Lockers w/Mirrored Doors
 Side Shelf Storage
 Mirrored Rope Locker Bulkhead
 V-Berth Privacy Doors
 120V Outlet

Dinette/Salon Area:

Electric Convertible Salon Sofa
 w/Storage Beneath
 Upper Storage Cabinet
 120V Outlet
 120V Fluorescent Lighting

Entertainment Center for Salon:

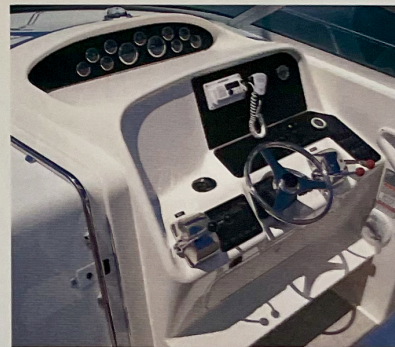
TV/VCR Combo w/Remote Antenna &
 TV Coax to Dockside



The vast cockpit has everything for entertaining and serious fishing, with lots of storage, a bait prep/entertainment center with wet bar, and an insulated, in-floor fish box.



During hot days or sudden showers, you'll appreciate the canvas package with bimini top and aft sun shade, plus front, side and aft curtains.



From the power adjustable double helm seat, you're in command of a large dash with complete instrumentation and easy-to-reach switches.

Galley:

Flush-Mount Two-Burner Electric Stove
 Stainless Steel Stove Rail
 120V/12V Refrigerator (3.4 Cu. Ft.)
 Microwave Oven
 120V Fluorescent Light
 Galley Storage & Drawers w/Designated Glass & Plate Storage & Cutlery Insert
 Fiberglass Countertop w/Corian® Cutting Board & Grohe® Designer Faucet
 Removable Trash Can
 Stainless Steel Handrail

Head & Vanity:

VacuFlush® Head w/Fiberglass Settee Lid
 Holding Tank
 Vanity w/Sink & Storage Below
 Full Fiberglass Enclosed Stand-Up Head w/Shower & Curtain
 Stainless Steel Handrail
 Mirrored Medicine Cabinet Wall
 Mirror

WINDSHIELD & CANVAS

Curved Tri-Section Tinted Glass & Electric Front Vent
 Stainless Steel Handrails
 Opening Stainless Steel Port Lights (2)
 Windshield Wipers (Port & Starboard)
 Sunbrella® Bimini Top w/Boot & Vertical Top Storage
 Aft Sun Shade

Canvas Package:

Front Curtains
 Side Curtains
 Aft Curtain
 Canvas Storage Bag

TECHNICAL

Automatic Bilge Pumps
 High Water Bilge Alarm & Pumps
 Shower Sump Pump & Float Switch
 Electric Bilge Blowers (2)
 Heavy-Duty Mechanical Steering w/Tilt Wheel
 VHF Radio - Standard Nova® w/8' Fiberglass Antenna & Stainless Steel Ratchet Mount
 Backlit Switch Panel w/Illuminated Weatherproof Rocker Switches & Dimmer Control
 Custom Sea Ray® Backlit Instrumentation w/Low-Glare Blue Night Lighting
 Tachometers w/Hourmeters
 Compass
 Engine Synchronizer
 Concealed Horn
 Dual Gear Shift & Throttle Controls
 Battery Trays & Switches
 Emergency Start System
 Color-Coded Wiring w/Chafe Protection
 30 Amp/120V/60 Cycle Dockside Power w/50' Cord, Adapter & Main Distribution Panel
 Main D.C. Breaker Panel
 120V/30 Amp/12V Converter

Bilge Lights
 Ground Fault-Protected Outlets
 Aluminum Fuel Tanks w/Fuel Filters, Anti-Siphon Valves & Electric Senders
 Halon System
 Engine Alarms (Water, Oil & Transmission Oil)
 Pressure Water System & 6-Gallon Water Heater w/Exchanger
 Galvanic Isolator
 Racor® Filters & Fuel Shutoff Valve (Diesels Only)
 Power Vents—Head & Galley
 Power Pac Exhaust Systems/Lift System Mufflers

UNDERWATER GEAR

Bonding System
 Manganese-Bronze Rudders & Struts
 Stainless Steel Prop Shafts
 Seacocks on All Underwater Fittings
 Seawater Strainers
 Zinc Hull Plate
 Hydraulic Trim Tabs
 Propellers
 Dripless Shaft Logs w/Extra Seal Carrier Kit

STANDARD ENGINE

T-7.4L MPI MerCruiser® Inboards (T-310 hp - 231 kW)



The salon sofa converts electrically into a bed with plenty of storage underneath.



The beautifully equipped galley includes a two-burner electric stove, refrigerator, microwave, designer countertops and faucet, plus cabinets and storage for every need.



The forward stateroom with privacy doors is a convertible dinette with dedicated table storage, while filler cushions easily make up into a comfortable bed.

OPTIONAL ENGINES

Twin Gasoline Inboards:

T-7.4L MPI Horizon MerCruiser®
(T-380 hp - 283 kW)

Twin Diesel Inboards:

T-CAT3116TA Caterpillar™
(T-292 hp - 218 kW)

Macerator

Air Conditioning/Heating

12,000 BTU- 1-Ton (Includes
Secondary Dockside Power
System w/50' Cord & Adapter)
(120V/60 Cycle) or
(220V/50 Cycle - Int'l)

Generators - Remote Start

**w/Muffler, Freshwater Cooling,
Fuel Filter & Seawater Strainer:**

120V/60 Cycle

4.5 kW Westerbeke™ Gas

220V/50 Cycle (Int'l)

3.5 kW Westerbeke™ Gas

120V/60 Cycle

5.0 kW Westerbeke™ Diesel

220V/50 Cycle (Int'l)

4.0 kW Westerbeke™ Diesel

B&G® Network Electronics

Package*:

GPS System w/Antenna
VHF Radio w/Remote Speaker
& 8' Antenna
Quad Multifunction Instrument:
- Depth Finder
- Speed/Sumlog
- Water Temperature

Raytheon Electronics Package*:

GPS/Loran NAV 398 w/112 GPS
Sensor
VHF Radio 210 w/Remote Speaker
& 8' Antenna
Raydata Multifunction Instrument:
- Depth Finder
- Speed/Sumlog
- Water Temperature

Tan Dash Gel Coat

Cockpit Table

Live Baitwell System

Large Rod Holders (4) in lieu of
Standard

Burl Instrument Panels

w/Wood-Accent Wheel

Removable Aft Cockpit L-Shaped

Bench Seat

Aft Cockpit Snap-In Carpet Liner
5" Remote-Controlled Spotlight
Crossover Charging System
Crossover Fuel System (Gas Only)
50 Amp Electronics Circuit
w/Ground Plates
Freshwater Cooling (Gas Only)
WalVac®
(120V/60 Cycle) or
(220V/50 Cycle - Int'l)

Gray Water System
Saltwater Washdown System
Hydraulic Steering
Systems Monitor Panel
Storage Cradle

Safety Package:

Fenders (2)
Fire Extinguishers (2)
First Aid Kit
Boat Hook
Life Jackets (6)
Ring Buoy (19")
5/8" x 40' Dock Lines (6)
Flare Kit w/Flush Holder
Chart Holder

CE Option

*Replaces Nova® VHF &
Lowrance® 3500 Digital Depth Finder

Sea Ray®

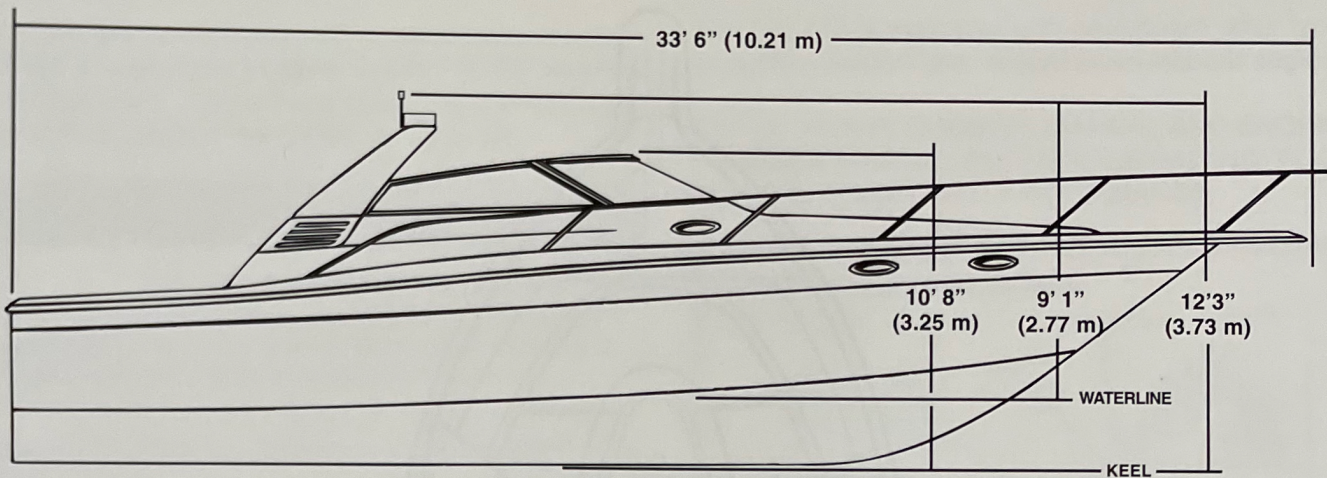
A WORLD BEYOND THE MAINSTREAM.™



Sea Ray Boats, Inc., 2600 Sea Ray Blvd., Knoxville, TN 37914. For information call 1-800-SRBOATS or fax 1-314-827-8488.
Internet address: <http://www.searay.com> Note: Not all accessories shown in pictures or described herein are standard equipment or even available
as options. Options and features are subject to change without notice. Confirm the availability of all accessories and equipment with
an authorized Sea Ray dealer prior to purchase. Printed in the U.S.A. August 1997. © Sea Ray Boats, Inc.
MRP #1088277



Specifications & Dimensions



(fig. 12.3.1)

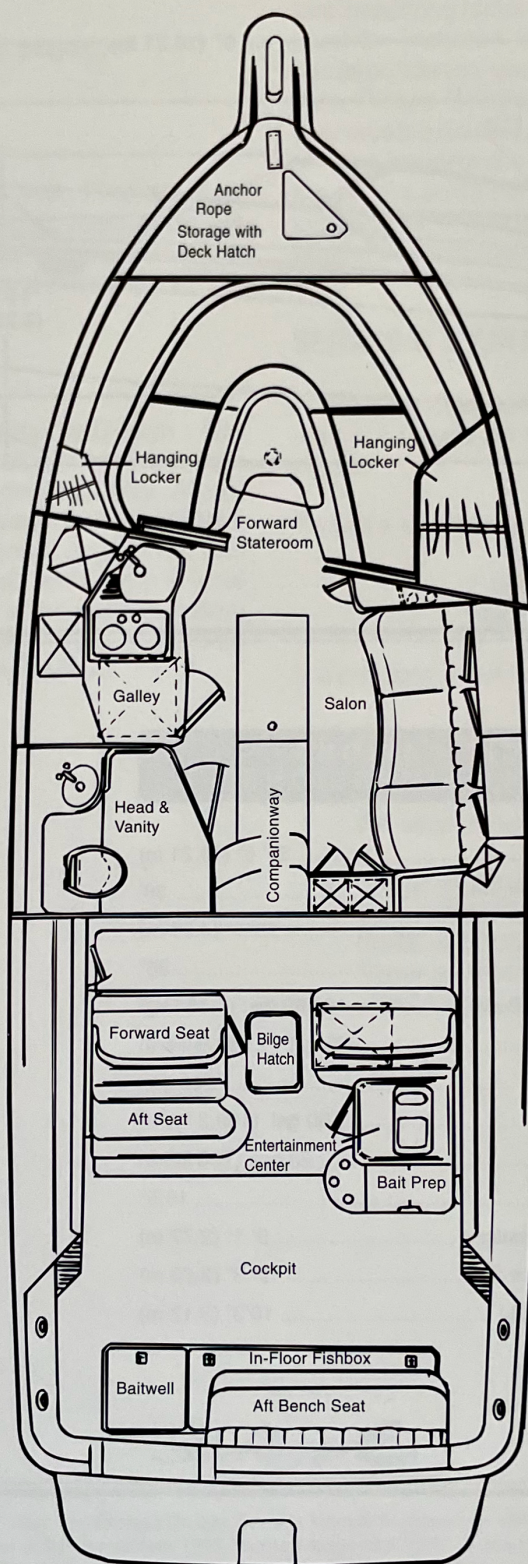
SPECIFICATIONS & HEIGHT DIMENSIONS

Overall Length	33' 6" (10.21 m)
w/Standard Pulpit & Platform	38'
Beam	13' 5" (4.09 m)
Draft	36"
Dry Weight – Standard Power	16,500 lbs. (7,484 kg)
Fuel Capacity	275 gal. (1,040.9 liters)
Useable Fuel	260 gal.
Water Capacity	50 gal. (189.3 liters)
Holding Tank	28 gal. (106 liters)
Dead Rise	19.5°
Waterline To Top Of Mastlight	9' 1" (2.77 m)
Keel To Top Of Mastlight	12' 3" (3.63 m)
Keel to Top Of Windshield	10' 3" (3.12 m)



(fig. 12.3.2)

Standard Accommodation Plans



(fig. 12.4.1)